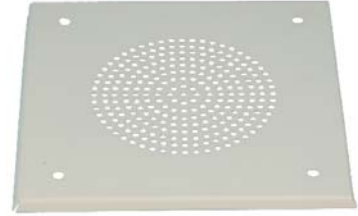




www.arnscott.com

Loudspeaker Baffles



# G70 Series

G70 Series  
Square Acoustic Baffles for 4-5"  
Loudspeakers



G70W



G70PW

## FEATURES

- Powder coat finish is hard wearing and durable
- 4 screw mount for a solid installation
- Simple to install or retrofit
- Welded Speaker studs
- Two Piece construction for model G70PW



www.arnscott.com

# G70 Series

## Square Acoustic Baffles for 4-5" Loudspeakers

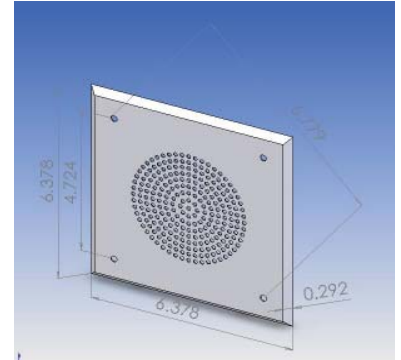
G70 Series

### SPECIFICATIONS

Back-boxes that work with these baffles:

Standard Screw Mount:  
E40, SE40SB, SE40SB-5L

Note: All models are equipped with welded speaker mounting studs unless otherwise noted. Mounting screws and speaker nuts are included.  
All baffles can be custom painted to match a particular colour scheme. Send us a colour match and we would be pleased to quote you.



Model No.	Diameter	Mount	Flange Ht.	Spkr Mnt	Material	Finish	ULC Listed
Screw Mount:							
G70W	6-3/8"	4-7/8	5/16"	weld studs	20 Ga CRS	White Powder	Yes
G70PW	6-3/8"	4-7/8"	5/16"	eeld studs	20 Ga CRS-2 Pc.	White Powder	No

### ARCHITECTS AND ENGINEERS SPECIFICATIONS

#### MODEL G70W

The flush ceiling baffle shall be an AEG Model G70W. The baffle shall be fabricated from one piece of steel, finished in semi-gloss white powder paint and shall measure 16.2cm (6-3/8") square and 0.8cm (5/16") deep. A 4 - 5 inch loudspeaker shall mount to four concealed studs, making a very clean installation job. Four holes shall be provided to mount the baffle on AEG Models E40, SE40SB and SE40SB-5L enclosures.

#### MODEL G70PW

The flush ceiling baffle shall be an AEG Model G70PW. The baffle shall be fabricated from Two pieces of steel, finished in semi-gloss white powder paint and shall measure 16.2cm (6-3/8") square and 0.8cm (5/16") deep. A 4 - 5 inch loudspeaker shall mount to four concealed studs, making a very clean installation job. Four holes shall be provided to mount the baffle on AEG Models E40, SE40SB and SE40SB-5L enclosures.