



www.arnscott.com

Acoustic Back-Boxes



SE600W

SE600W

Round Acoustic Back-Box for 4-5"
Loudspeakers



SE600W

FEATURES

- * RUST RESISTANT HEAVY GAUGE METAL WITH WHITE POWDER PAINTED FINISH.
- ENCLOSURE CAN BE SUSPENDED BY EITHER CHAIN, CABLE, THREADED ROD OR CONDUIT. ENCLOSURE IS EQUIPPED WITH 1/4" HOLE IN BOTTOM AND TOP.
- REMOVABLE PERFORATED LID IS INCLUDED, DESIGNED TO FIT A STANDARD 4 OR 5" SPEAKER.
- 1/2" "D" HOLE IS CENTERED ON THE SIDE, AND AT 1/2 RADIUS ON THE BACK
- 0.188"(3/16") EYEBOLT HOLE IS LOCATED ON THE CENTER ON THE FRONT AND THE BACK.



www.arnscott.com

SE600W

Round Acoustic Back-Box for 4-5" Loudspeakers

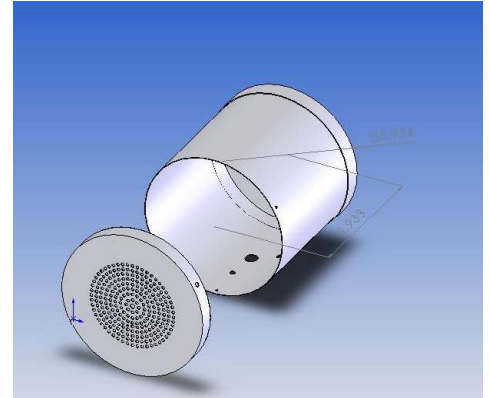
SE600W

SPECIFICATIONS

Baffles that work with these back-boxes:

Standard Screw Mount:
Included
Torsion Mount:
N/A

Note: There are no K/O's in this enclosure.
All back-boxes can be custom configured, send us a drawing or sketch and we would be pleased to quote you. Length and holes punched for eyehooks and other hardware can be accommodated. Minimum orders Qty will apply.



SE600W

Model No.	Depth	Lined	Spray Dampened	Cubic Feet	Mounting	ULC Listed
Screw Mount:						
SE600W	6	Yes	No	0.05	Chain (not Included)	No

ARCHITECTS AND ENGINEERS SPECIFICATIONS

MODEL SE600W

The backbox shall be AEG Model SE600W. The backbox shall be constructed of heavy gauge steel and shall be painted with white powder paint. 1/2" "D" hole is centered on the side, and at 1/2 radius on the back. 0.188"(3/16") eyebolt hole is located on the center of the front and the back. The unit shall measure 153mm (6") round, and have a maximum depth of 153mm (6"). This unit shall be used wherever surface ceiling or wall mount, or suspended speaker conditions exist. The practical design of this assembly makes it ideally suited for sound masking applications. For more information on AEG sound masking complete assemblies, please see separate technical note. This unit has the back completely closed, allowing the containment of wiring. The baffle is included with this two piece assembly.

ULC is a Trademark of Underwriters Laboratories of Canada

Specifications subject to change without notice

www.arnscott.com

sales@arnscott.com