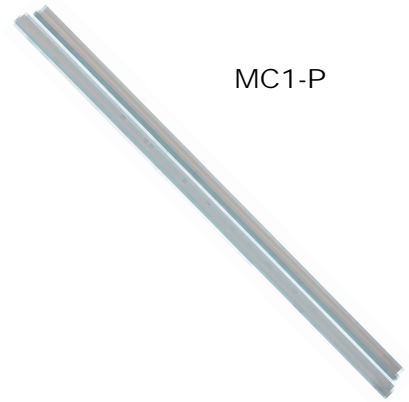




www.arnscott.com

Acoustic Back-Box Hardware



MC1-P

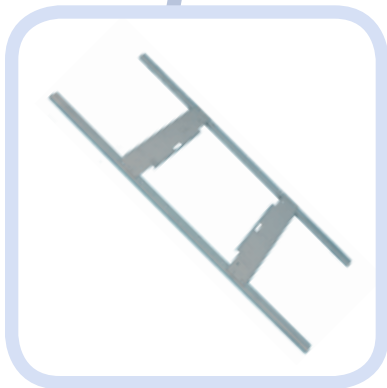
M Series

M Series

Mounting hardware for back boxes

FEATURES

- Rust resistant heavy gauge electro-plated steel
- Punched for round or square baffles or enclosures
- Used for 4-5" or 8" speaker back boxes
- Primarily designed for flush mounted back boxes in T-Bar ceilings
- Some Models are approved for ULC™ Listed Installations



MF1



www.arnscott.com

M Series

Mounting hardware for back boxes

M Series

SPECIFICATIONS

Baffles that work with these back-boxes:

MC1-P

Standard Screw Mount:

G15W, G70W, G70PW, G10W, G11W, G11A, G25W, G51W

Torsion Mount:

N/A

MF1

Standard Screw Mount:

G10W, G11W, G11A, G25W, G51W

Torsion Mount:

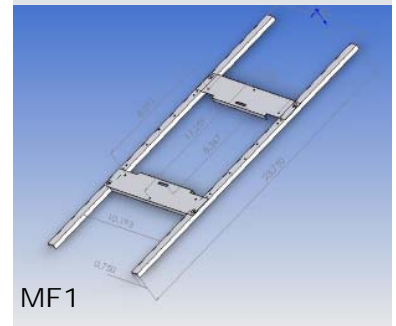
GA10W, GA11W,

Note:

In order to fulfill ULC listing requirements, this mounting hardware must be installed with an Arnscott Fire Rated Speaker and back Box.



MC1



MF1

ARCHITECTS AND ENGINEERS SPECIFICATIONS

MODEL MC1-P

The mounting channel shall be AEG Model MC1-P. The channel shall be constructed of electro-plated steel. This channel is always installed as pairs, on each side of the enclosure. The unit shall measure 60.3cm (23-3/4") long, 0.95cm (3/8") deep and 1.9 (3/4") wide. This unit can be used wherever recessed wall or ceiling speakers are installed. The mounting channel shall install to all AEG enclosures.

MODEL MF1

The mounting frame shall be AEG Model MF1. The channel shall be constructed of electro-plated steel. This channel is always installed as a single unit, sandwiched between the baffle and the enclosure on the back side of the ceiling tile. Each side rail shall measure 60.3cm (23-3/4") long, 0.95cm (3/8") deep and 1.9 (3/4") wide, bridged together to an overall width of 29.2cm (11.5"). This frame will support round or square baffles, including automatic. This unit can be used wherever recessed wall or ceiling speakers are installed, except in the case of wall mount, where automatic torsion baffles are not recommended. The mounting frame shall install to most AEG enclosures, primarily E10 / E10S / EA10 / E20 / EA20. MF1 has slots for the round baffle's torsion springs, if using a round automatic (torsion) baffle it is not required that you use the torsion mount back box (EA10), the standard E10 is suitable). Enclosures for 4" speakers are recommended to use MC1-P or one of AEG's mounting rings.

ULC is a Trademark of Underwriters Laboratories of Canada