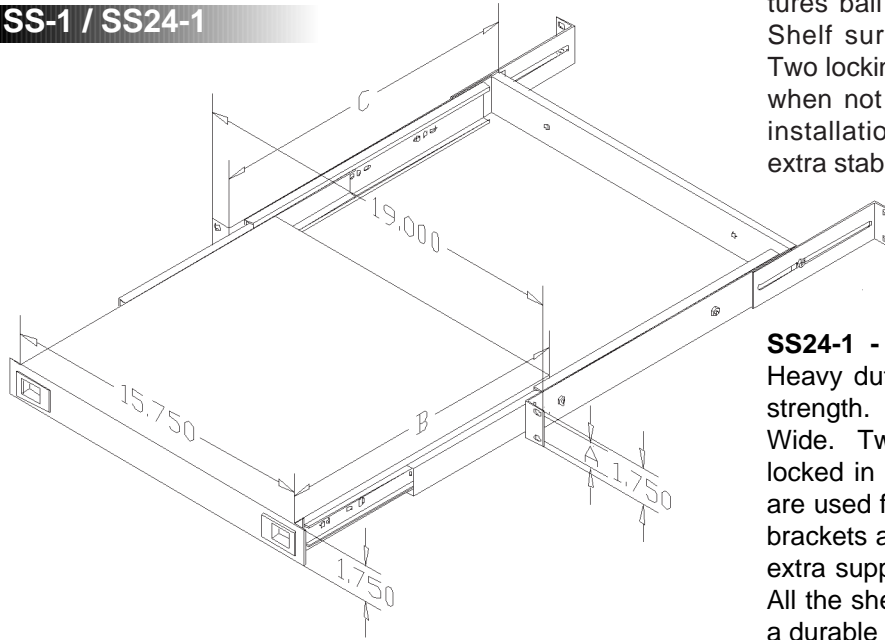


SS-1 / SS24-1 / SSE

19" Rack Mount Sliding Shelves

SS-1 / SS24-1



SS-1 - 15" Deep Shelf (1+ space height)

Heavy duty shelf made of 16-gauge steel features ball bearing sliders for smooth operation. Shelf surface is 14.62" Deep X 15.75" Wide. Two locking slide latches keep the shelf locked in when not in use. Rear support brackets allow installation into any rack, and gives the shelf extra stability.

SS24-1 - 24" Deep Shelf (1+ space height)

Heavy duty shelf is made of 16-gauge steel for strength. Shelf surface is 24.00" Deep X 15.75" Wide. Two locking slide latches keep the shelf locked in when not in use. Ball bearing sliders are used for smooth operation. Rear rail support brackets allow installation into any rack, and give extra support when the shelf is put under stress. All the shelf chassis are powder coated black for a durable finish.

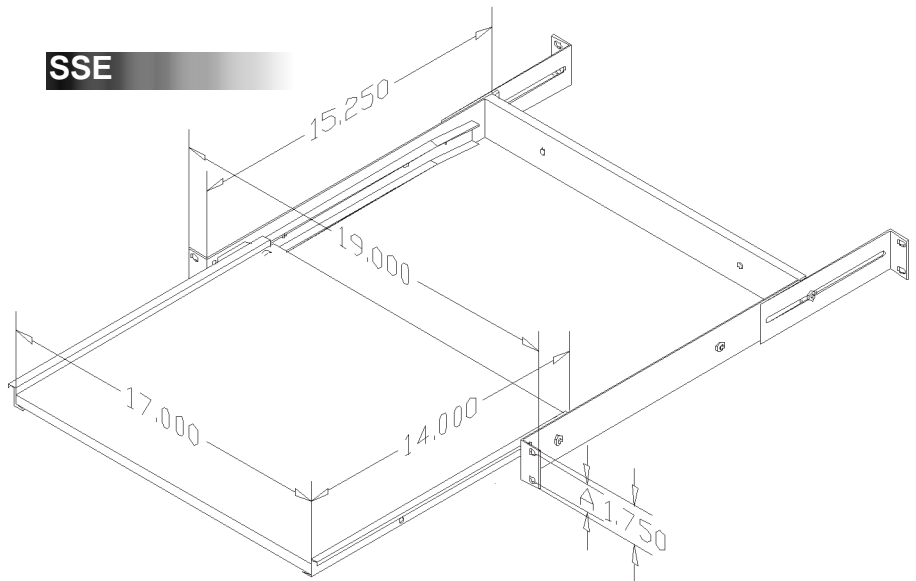
Part #:	Dim "A"	Dim "B"	Dim "C"	Capacity
SS-1	1.25"	14.62"	15.25"	50 lbs.
SS24-1	1.25"	24.00"	24.12"	50 lbs.

Note: The SS-1 and SS24-1 shelves takes up a little more than 1 rack space when installed.

SSE - 14" Deep Economy Shelf

The black laminated wood shelf has a surface area of 14.00" Deep X 17" Wide. It extends out 13.50" and locks in place on positive 0.75" nylon roller slides, which also offer smooth sliding. Rear rail support brackets allow for installation in any rack with or without rear rack rail. The chassis is made of 16-gauge steel and finished in black powder coat. Maximum weight capacity of this shelf is 35 lbs.

SSE



Note: The SSE DOES fit into 1 rack space when install.