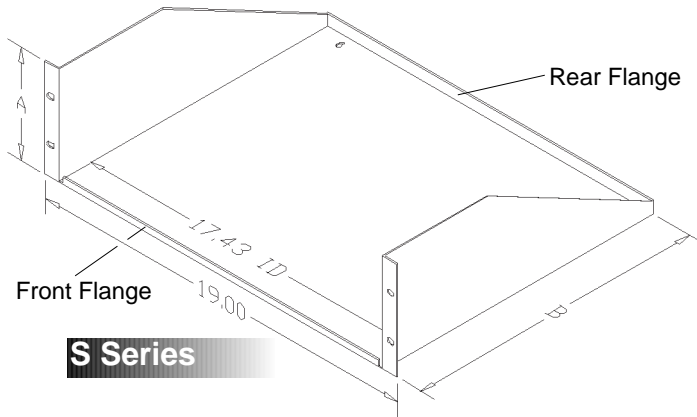


S Series / S3-17 / S2-30 / S3-HD22

19" Rack Mount Shelves



S Series - (1, 2, 3, or 4 space height)

Utility shelves, 16-gauge steel, black powder coat finish, shelf surface area is 17.43" Wide for depth see chart below, front flange 0.31", rear flange 0.50".

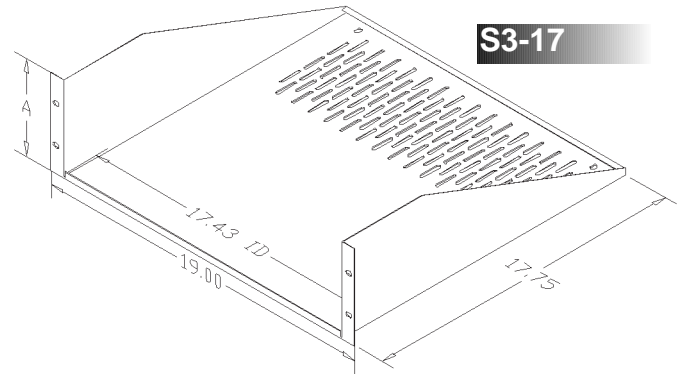
Note: S-1 does not have a front flange.

Part #:	Dim "A"	Dim "B"	Capacity
S-1	1.75"	10.50"	35 lbs.
S-2	3.50"	14.50"	50 lbs.
S-3	5.25"	14.50"	70 lbs.
S-4	7.00"	15.50"	85 lbs.

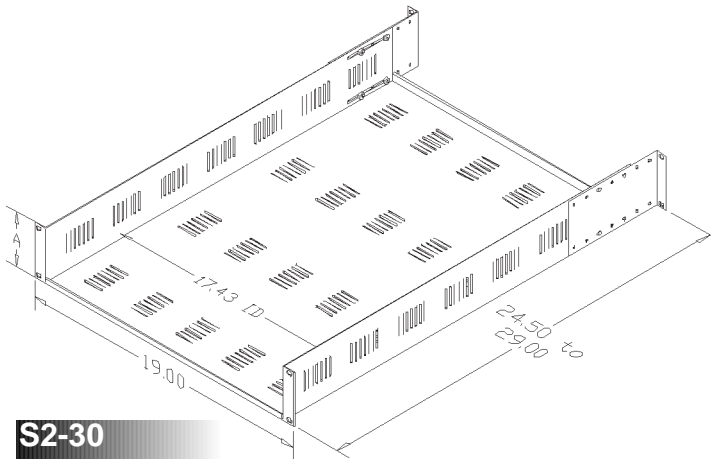
S3-17 - (3 space height)

Vented utility shelf, 60 lbs. capacity, 16-gauge steel, shelf surface area is 17.65" Deep X 17.43" Wide, black powder coat finish, rear flange is slotted for horizontal cable managing, front flange 0.31", rear flange 0.50".

S3-17 Dim "A": - 5.25"



S3-17



S2-30 - (2 space height)

Adjustable video shelf for 25", 26" and 30" deep cabinets, rated for 500 lbs. capacity, 15-gauge steel, black powder coat finish, rear rail mounts are adjustable from 24.50" to 29.00", shelf surface area is 25.25" Deep X 17.43" Wide, front flange 0.31", rear flange 0.50".

S2-30 Dim "A": - 3.50"

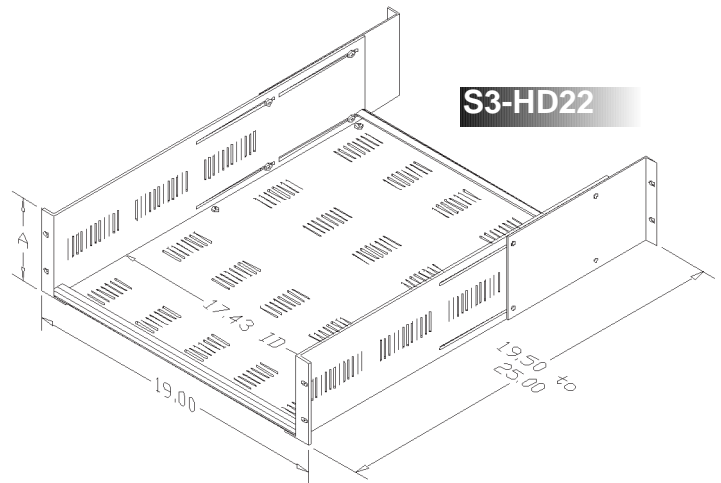
S2-30

S3-HD22 - (3 space height)

Adjustable video shelf for 20" and 25" deep cabinets, rated for 500 lbs. capacity, 15-gauge steel, black powder coat finish, rear rail mounts are adjustable from 19.500" to 25.00", shelf surface area is 22.25" Deep X 17.43" Wide, front flange 0.50", rear flange 0.50".

Knocked down for economical shipping.

S3-HD22 Dim "A": - 5.25"



S3-HD22