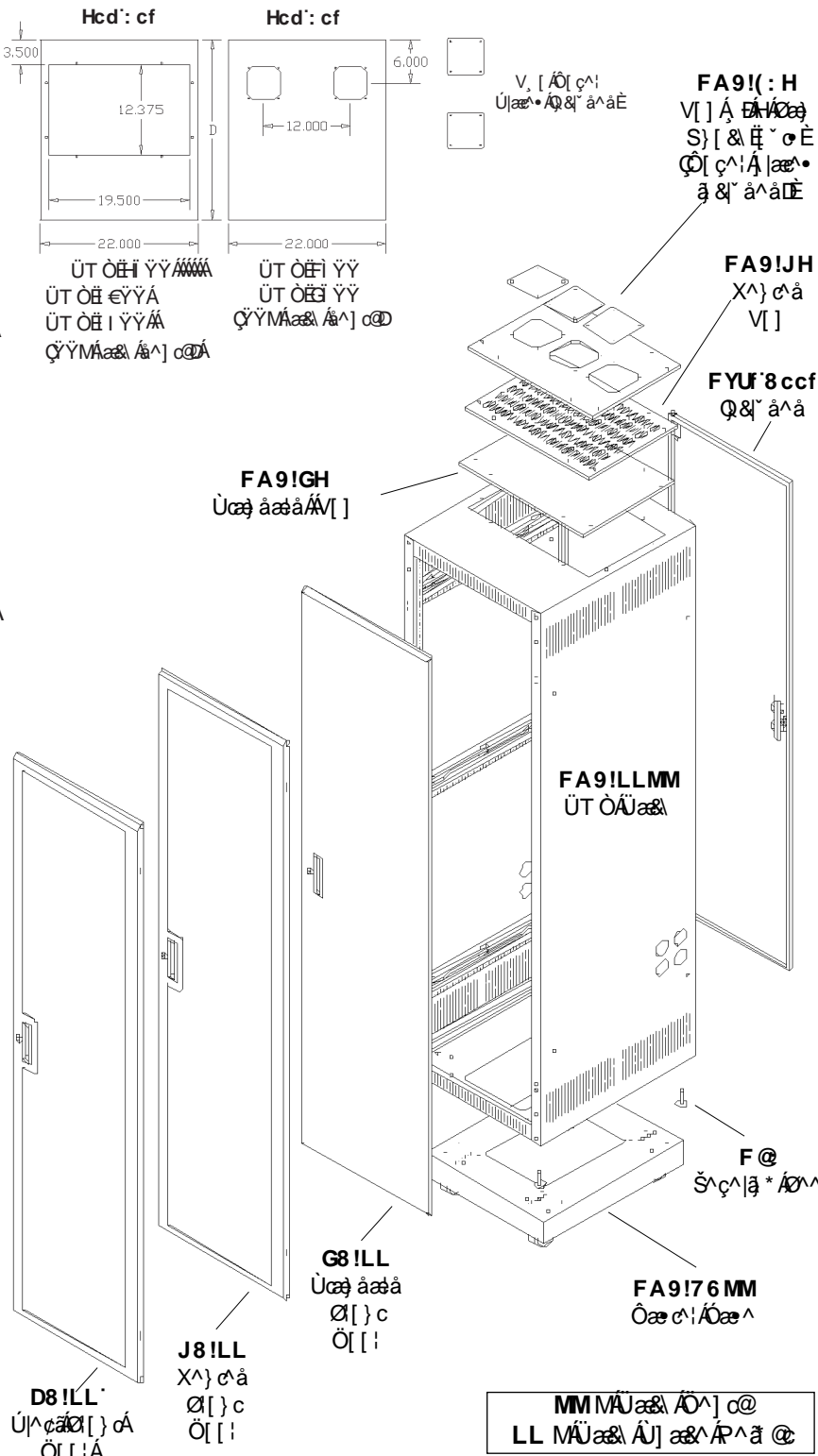


## 19" Welded Steel Equipment Racks

### FA9'GYf]Yg/ 5 WYggcf]Yg

#### FA9'GYf]Yg'

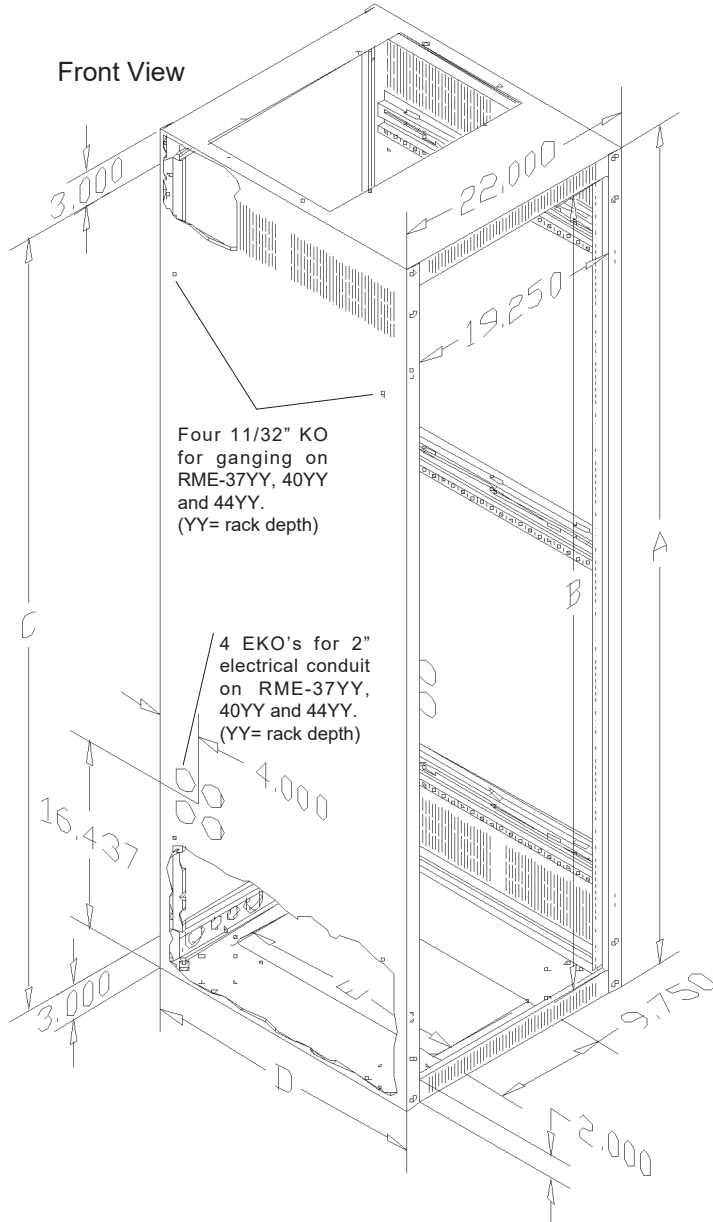
FA9'GYf]Yg' is a 19" wide welded steel equipment rack. It features a heavy-duty construction with a depth of 22.000 units. The front panel is available in various finishes, including powder-coated steel (FA9!GH) and stainless steel (FA9!JH). The rack is designed to accommodate up to 5 vertical slots (FA9!JH) and can be configured with a front door (FA9!LLMM) or a solid front panel (FA9!GH). The rack is compatible with standard 19" equipment modules (FA9!76&&). The rack is available in two heights: 3.500 units (FA9!76&&) and 6.000 units (FA9!76&&). The rack is designed for easy installation and removal of modules. The rack is available in two colors: black (FA9!76&&) and silver (FA9!76&&). The rack is designed to be compatible with standard 19" equipment modules. The rack is available in two heights: 3.500 units (FA9!76&&) and 6.000 units (FA9!76&&). The rack is designed for easy installation and removal of modules. The rack is available in two colors: black (FA9!76&&) and silver (FA9!76&&).



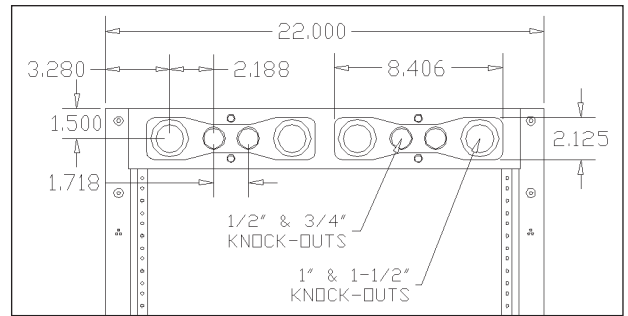
#### FA9 Cdhjcbg!'Gc`X'GYdUFUH'mi

FA9 Cdhjcbg!'Gc`X'GYdUFUH'mi is a 19" wide welded steel equipment rack. It features a heavy-duty construction with a depth of 22.000 units. The front panel is available in various finishes, including powder-coated steel (FA9!GH) and stainless steel (FA9!JH). The rack is designed to accommodate up to 5 vertical slots (FA9!JH) and can be configured with a front door (FA9!LLMM) or a solid front panel (FA9!GH). The rack is compatible with standard 19" equipment modules (FA9!76&&). The rack is available in two heights: 3.500 units (FA9!76&&) and 6.000 units (FA9!76&&). The rack is designed for easy installation and removal of modules. The rack is available in two colors: black (FA9!76&&) and silver (FA9!76&&). The rack is designed to be compatible with standard 19" equipment modules. The rack is available in two heights: 3.500 units (FA9!76&&) and 6.000 units (FA9!76&&). The rack is designed for easy installation and removal of modules. The rack is available in two colors: black (FA9!76&&) and silver (FA9!76&&).

**RME Series**



**Rear View - Electrical Knock-Outs (Top/Bottom)**

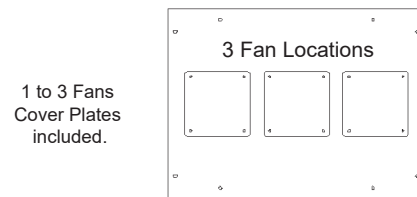


**Front door clearance:** When the front door is closed and the rack rail is in the forward-most position, the distance between the front of the rack rail and the inside of the front door is 1.44" (Standard and vented doors), and 1.25" (Plexi-glass door).

**Rear door clearance:** When the rear door is closed and the rack rail is in the rear-most position, the distance between the out-side edge of the rack rail and the inside of the door is 0.80".

**Caster base clearance:** When a caster base is installed into the rack, the over all height of the rack is increased by 3.975".

**RME-37YY, 40YY, and 44YY - Top Options**



1 to 3 Fans Cover Plates included.

RME-4FT

See other side for part descriptions.

To order any of these racks and options use these part numbers:

RME-XXYY	SD-XX	VD-XX	PD-XX
RME-CBYY		RME-RRXX	

(XX= rack space height)  
(YY= rack depth)

Part #:	Dim "A"	Dim "B"	Dim "C"	Dim "D"	Dim "E"
RME-1820	35.625"	31.625"	29.625"	20.000"	15.250"
RME-2720	51.375"	47.375"	45.375"	20.000"	15.250"
RME-3720	68.750"	61.375"	59.375"	20.000"	15.250"
RME-4020	74.125"	70.125"	68.125"	20.000"	15.250"
RME-4420	81.125"	77.125"	75.125"	20.000"	15.250"
RME-3725	68.750"	61.375"	59.375"	25.000"	20.250"
RME-4025	74.125"	70.125"	68.125"	25.000"	20.250"
RME-4425	81.125"	77.125"	75.125"	25.000"	20.250"



**ARNSCOTT ELECTRONICS GROUP**