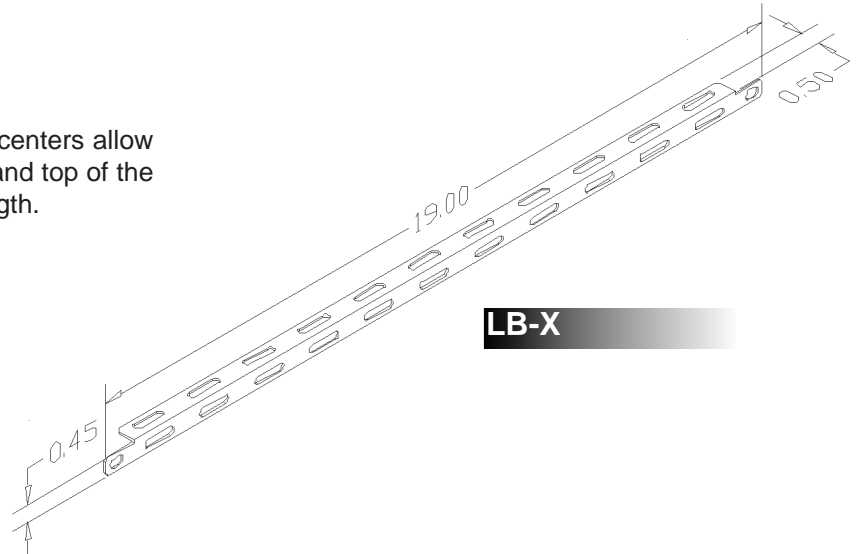


LB-X / LBR / LBR4

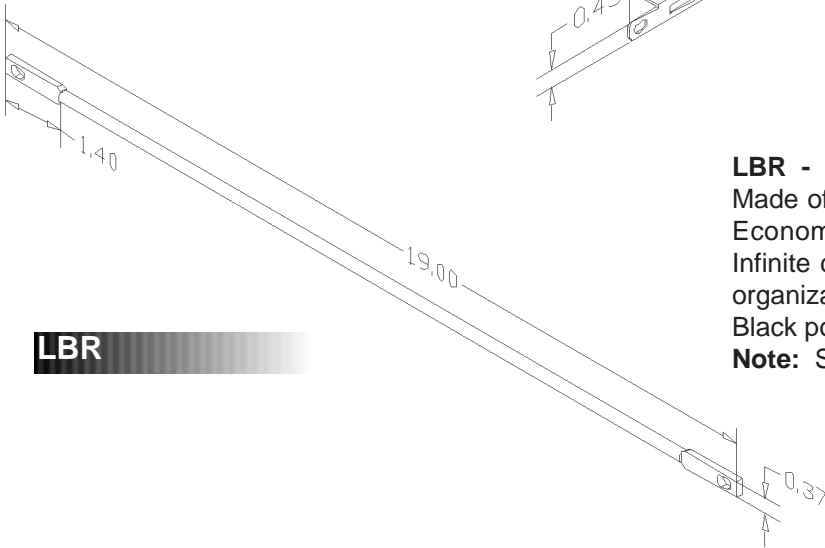
19" Rack Mount Horizontal Lacer Bars

LB-X - 19" Lacer Bar

Made of 18-gauge steel.
 Eleven obround slots 0.20"X0.84" on 1.60" centers allow for convenient cable tie points on the front and top of the lacing bar. L-channel construction for strength.
 Black powder coat finish.
Note: Sold in packages of 10.



LB-X



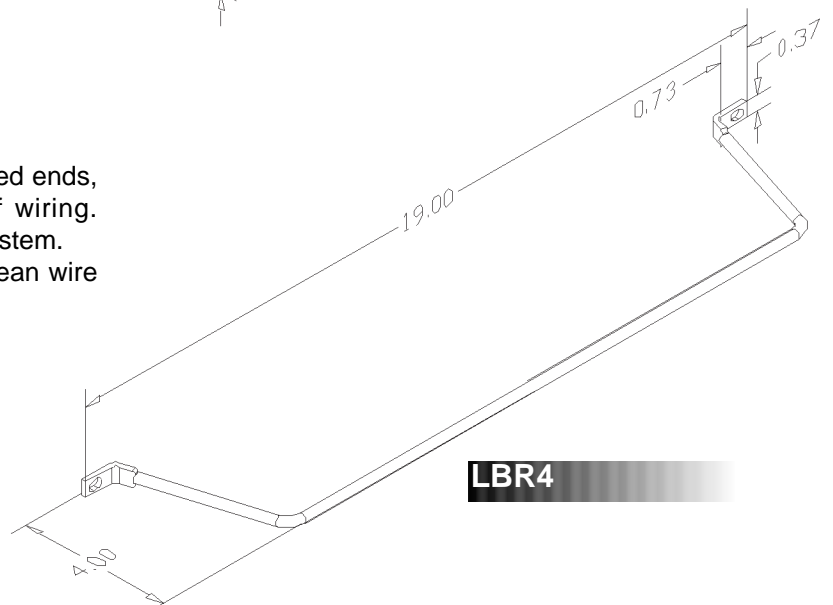
LBR

LBR - 19" Lacer Bar

Made of 0.25" diameter steel rod with flattened ends.
 Economical horizontal cable management system.
 Infinite cable tie points provides space for clean wire organization.
 Black powder coat finish.
Note: Sold as each.

LBR4 - 19" Lacer Bar

Made of 0.25" diameter steel rod with flattened ends, and offers a 4" offset for easy viewing of wiring.
 Economical horizontal cable management system.
 Infinite cable tie points provides space for clean wire organization.
 Black powder coat finish.
Note: Sold as each.



LBR4