

FPT Series / FPA Series / FK-3 / F4 / FG4

19" Rack Mount Fan Panels, Filter Kit, Fan and Fan Guard

FPT Series - Steel Fan Panels

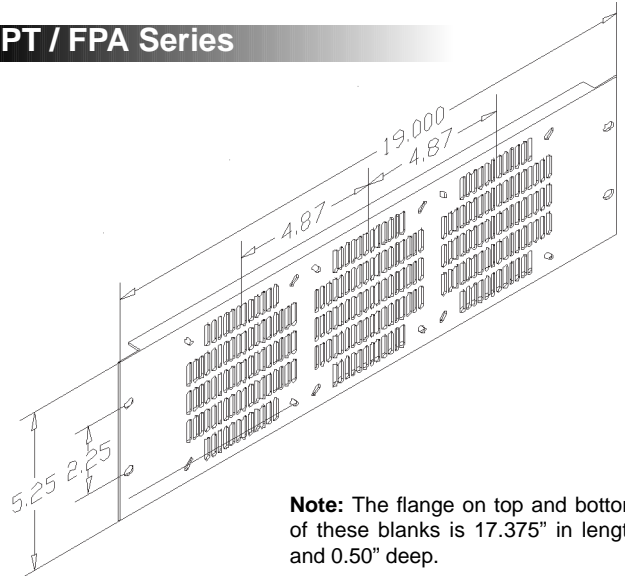
These panels will fit any 4-1/2" fan.
 Black textured powder coat finish.
 Steel flanged style blanks for strength.

FPA Series - Aluminum Fan Panels

These panels will fit any 4-1/2" fan.
 Durable brushed anodized black finish.
 Aluminum flanged style blanks for strength.

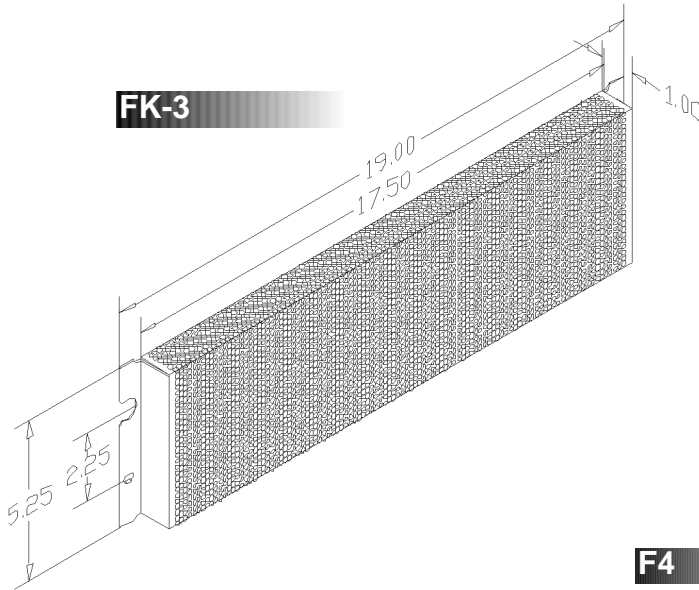
Part #:	# of Fans	Finish	# Rack Spaces	Fan Included
FPT-1	1	Textured Blk.	3	No
FPT-2	2	Textured Blk.	3	No
FPT-3	3	Textured Blk.	3	No
FPA-1	1	Anodized Blk.	3	No
FPA-2	2	Anodized Blk.	3	No
FPA-3	3	Anodized Blk.	3	No

FPT / FPA Series



Note: The flange on top and bottom of these blanks is 17.375" in length and 0.50" deep.

FK-3



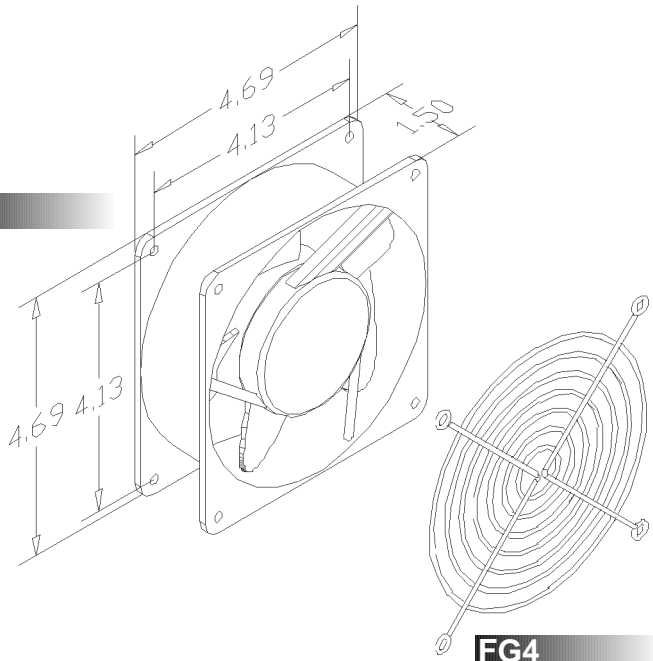
FK-3 - Filter Kit (3 space height)

Designed to be used in forced air cooled racks. Fits over any FPA and FPT fan blank. Keeps dust and other contaminants out of components mounted within the rack. The 20 PPI expanded black foam filter is washable. Factory installed rubber U-channel protects equipment from scratches. The FK-3 is made from 18-gauge perforated steel. Finish is a durable in black powder coat.

F4 - Fan

4-1/2" universal fan, 105 CFM (115VAC).
 Size: 4.69" sq. X 1.50" Airflow: 105 CFM
 Weight: 20 oz (550 g) Noise: 41dBA
 Included is a hardware pack of 4 bolts (1.95" long) and 4 flange nuts, and a power cord with a standard plug connector.

F4



FG4 - Fan Guard

Hamburger style fan guard, fits over the 4-1/2" fan.