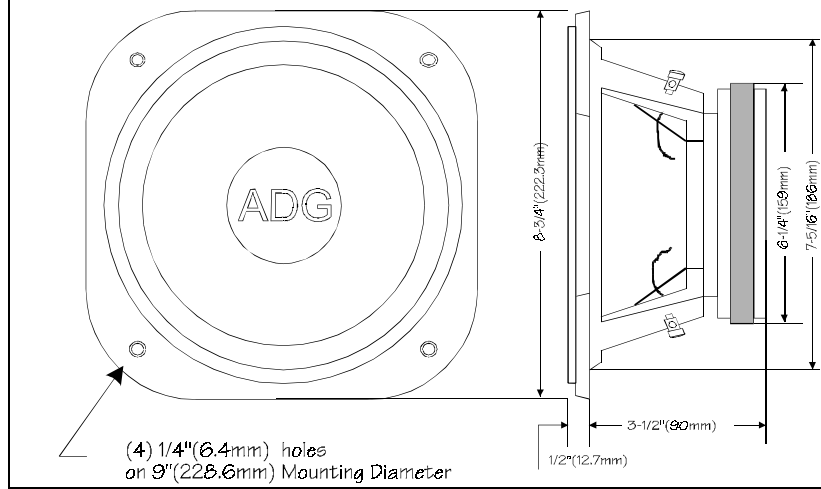


# Acoustic Design Group, Inc.

## PRO8 / PRO8-4 Series Subwoofers

- 150 W RMS CONTINUOUS POWER, 300 WATTS PEAK POWER
- 2" VOICE COIL - 8 MIL ANODIZED ALUMINUM FORMER FOR HEAT DISSIPATION AND POWER HANDLING
- 50 OZ MAGNET FOR MAXIMUM MAGNETIC FLUX
- VENTED POLE PIECE FOR BETTER VOICE COIL COOLING AND HIGHER POWER HANDLING.
- CONE MATERIAL IS EXCEPTIONALLY STIFF FOR MASSIVE POWER HANDLING CAPACITY, DYNAMICS AND TRANSIENT RESPONSE
- 3 YEAR WARRANTY... FROM MANUFACTURERS DEFECTS

## 8" 50oz. SUB CAST



Technical Data	PRO8	PRO8-4
Nominal Diameter (in./mm)	8 / 203	8 / 203
Magnet Weight (Oz./g.)	50 / 1420	50 / 1420
Frequency Range (Hz.)	35 - 1500	40 - 1500
Nominal Impedance (Ohms)	8	4
DC Resistance ( $R_E$ )(Ohms)	5.3	3.1
Inductance (mH @ 1000Hz)	2.6	1.408
Resonance Frequency ( $f_0$ )(Hz.)	33	36
Mechanical Q Factor ( $Q_{MS}$ )	3.8174	2.684
Electrical Q Factor ( $Q_{ES}$ )	0.163	.316
Total Q Factor ( $Q_{TS}$ )	0.156	.282
Effective ( $S_D$ )(Sq in.)(Sq M) Cone Area	34.1 / 0.022	34.1 / 0.022
Equivalent ( $V_{AS}$ )(cu ft)(Litre) Air Volume	1.11 / 31.4	0.84 / 23.84
Compliance ( $C_{MS}$ )(uM-N)	502.00	380.85
Moving Mass ( $M_{MS}$ )(g)	48.4	52.58
Voice Coil Diameter(in./mm)	2 / 51 4-Layer	2 / 51 3-Layer
Voice Coil Winding Height(in./mm)	0.78 / 19	0.81 / 20
Top Plate Thickness(in./mm)	0.39 / 10	0.39 / 10
Linear Excursion ( $X_{max}$ )(in./mm)	0.20 / 5.0	0.20 / 5.0
Force Factor ( $B\ell$ )(T.M)	17.9	10.7
Sensitivity ( $SPL$ )(dB.)	88	89
Power Handling ( $P_E$ )(Watt.R.M.S.)	150	150

Yo, just so you know, we reserve the right to make specification changes and product improvements without notice.