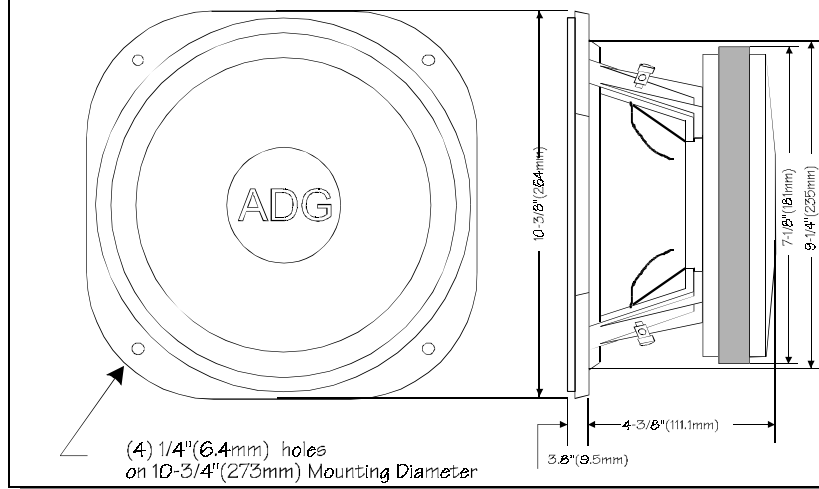


# Acoustic Design Group, Inc.

## PRO10i / PRO10i-4 Series Subwoofers

- 250 W RMS CONTINUOUS POWER, 500 WATTS PEAK POWER
- 3" VOICE COIL - 8 MIL ANODIZED ALUMINUM FORMER FOR HEAT DISSIPATION AND POWER HANDLING
- 80 OZ MAGNET FOR MAXIMUM MAGNETIC FLUX
- VENTED POLE PIECE FOR BETTER VOICE COIL COOLING AND HIGHER POWER HANDLING.
- CONE MATERIAL IS EXCEPTIONALLY STIFF FOR MASSIVE POWER HANDLING CAPACITY, DYNAMICS AND TRANSIENT RESPONSE
- 3 YEAR WARRANTY... FROM MANUFACTURERS DEFECTS

## 10" 80oz. SUB CAST



Technical Data	PRO10i	PRO10i-4
Nominal Diameter (in./mm)	10 / 254	10 / 254
Magnet Weight (Oz./g.)	80 / 2272	80 / 2272
Frequency Range (Hz.)	35 - 1000	40 - 1000
Nominal Impedance (Ohms)	8	4
DC Resistance ( $R_E$ )(Ohms) Inductance (mH @ 1000Hz)	5.3	3.1
Resonance Frequency ( $f_e$ )(Hz.)	38	35
Mechanical Q Factor ( $Q_{MS}$ )	2.60	1.89
Electrical Q Factor ( $Q_{ES}$ )	0.292	0.212
Total Q Factor ( $Q_{TS}$ )	0.263	0.191
Effective ( $S_D$ )(Sq in.)(Sq M) Cone Area	51.2 / 0.033	51.2 / 0.033
Equivalent ( $V_{AS}$ )(cu ft)(Litre) Air Volume	1.54 / 43.5	1.36 / 38.3
Compliance ( $C_{MS}$ )(uM-N)	263.37	247.30
Moving Mass ( $M_{MS}$ )(g)	73.88	85.13
Voice Coil Diameter(in./mm)	3 / 76 4-Layer	3 / 76 3-Layer
Voice Coil Winding Height(in./mm)	0.78 / 19	0.78 / 19
Top Plate Thickness(in./mm)	0.39 / 10	0.39 / 10
Linear Excursion ( $X_{max}$ )(in./mm)	0.25 / 7.0	0.25 / 7.0
Force Factor ( $B\ell$ )(T.M)	17.9	16.46
Sensitivity ( $SPL$ )(dB.)	92	91
Power Handling ( $P_E$ )(Watt.R.M.S.)	250	250

Yo, just so you know, we reserve the right to make specification changes and product improvements without notice.