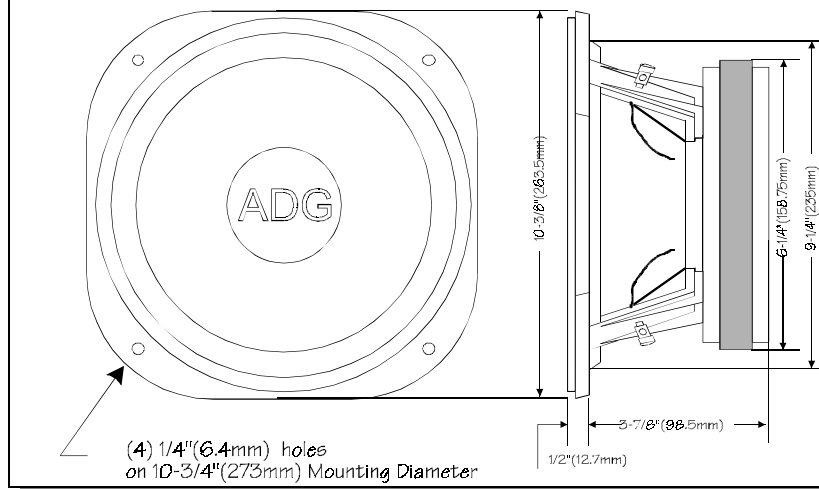


Acoustic Design Group, Inc.

PRO10 / PRO10-4 Series Subwoofers

- 175 W RMS CONTINUOUS POWER, 350 WATTS PEAK POWER
- 2" VOICE COIL - 8 MIL ANODIZED ALUMINUM FORMER FOR HEAT DISSIPATION AND POWER HANDLING
- 50 OZ MAGNET FOR MAXIMUM MAGNETIC FLUX
- VENTED POLE PIECE FOR BETTER VOICE COIL COOLING AND HIGHER POWER HANDLING.
- CONE MATERIAL IS EXCEPTIONALLY STIFF FOR MASSIVE POWER HANDLING CAPACITY, DYNAMICS AND TRANSIENT RESPONSE
- 3 YEAR WARRANTY... FROM MANUFACTURERS DEFECTS

10" 50oz. SUB CAST



Technical Data	PRO10	PRO10-4
Nominal Diameter (in./mm)	10 / 254	10 / 254
Magnet Weight (Oz./g.)	50 / 1420	50 / 1420
Frequency Range (Hz.)	35 - 1500	40 - 1500
Nominal Impedance (Ohms)	8	4
DC Resistance (R_E)(Ohms)	5.3	3.1
Inductance (mH @ 1000Hz)	2.6	1.408
Resonance Frequency (f_0)(Hz.)	38	33
Mechanical Q Factor (Q_{MS})	2.597	2.84
Electrical Q Factor (Q_{ES})	0.292	0.387
Total Q Factor (Q_{TS})	0.263	0.341
Effective (S_D)(Sq in.)(Sq M)	51.2 / 0.033	51.2 / 0.033
Cone Area		
Equivalent (V_{AS})(cu ft)(Litre)	1.54 / 43.5	1.87 / 52.9
Air Volume		
Compliance (C_{MS})(uM-N)	236.36	322.44
Moving Mass (M_{MS})(g)	73.89	70.68
Voice Coil Diameter(in./mm)	2 / 51 4-Layer	2 / 51 3-Layer
Voice Coil Winding Height(in./mm)	0.78 / 19	0.81 / 20
Top Plate Thickness(in./mm)	0.39 / 10	0.39 / 10
Linear Excursion (X_{max})(in./mm)	0.20 / 5.0	0.20 / 5.0
Force Factor ($B\ell$)(T.M)	17.9	10.7
Sensitivity (SPL)(dB.)	88	89
Power Handling (P_E)(Watt.R.M.S.)	175	175

Yo, just so you know, we reserve the right to make specification changes and product improvements without notice.