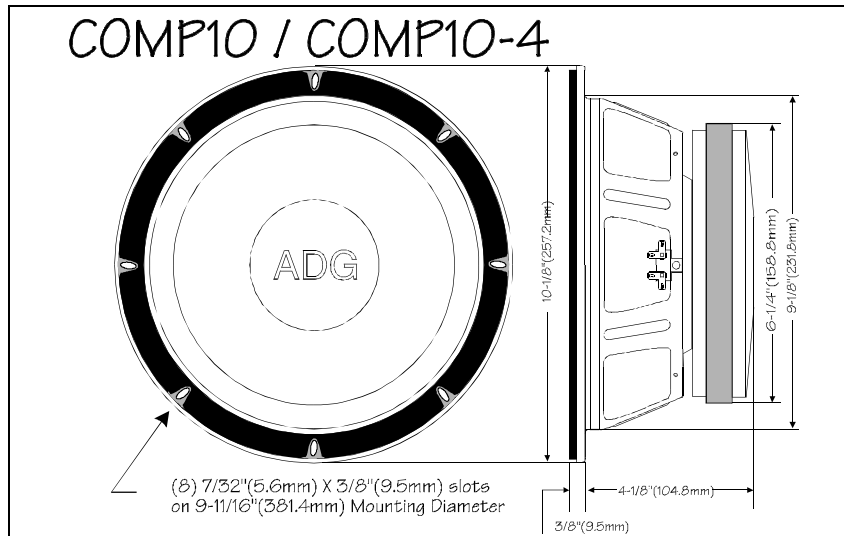


Acoustic Design Group, Inc.

COMP10 Series Subwoofers

- 175 WRMS CONTINUOUS POWER, 350 WATTS PEAK POWER
- 2" 4 LAYER VOICE COIL - 7 MIL ANODIZED ALUMINUM FORMER FOR HEAT DISSIPATION AND POWER HANDLING
- 50 oz. MAGNET FOR MAXIMUM MAGNETIC FLUX
- VENTED POLE PIECE FOR BETTER VOICE COIL COOLING AND HIGHER POWER HANDLING.
- CONE MATERIAL IS EXCEPTIONALLY STIFF FOR MASSIVE POWER HANDLING CAPACITY, DYNAMICS AND TRANSIENT RESPONSE
- 3 YEAR WARRANTY...FROM MANUFACTURERS DEFECTS (SEE DETAILS) when installed by an authorized ADG Dealer.



Technical Data	COMP10	COMP10-4
Nominal Diameter (Inch / mm)	10 / 254	10 / 254
Magnet Weight (oz. / g)	50 / 1420	50 / 1420
Frequency Range (Hz.)	35 - 2,500	35 - 2,500
Nominal Impedance (z)(Ohms)	8	4
DC Resistance (R_E)(Ohms)	5.4	3.1
Inductance L_e (mH @ 1000 Hz.)	2.589	1.408
Resonance Frequency (f_e)(Hz.)	38	42
Mechanical Q Factor (Q_{MS})	3.367	3.032
Electrical Q Factor (Q_{ES})	0.378	0.432
Total Q Factor (Q_{TS})	0.340	0.378
Effective Cone Area (S_D)(Sq M)	0.033	0.033
Equivalent Air Volume (V_{AS})(Litre)	43	32
Compliance (C_{MS})(uM/N)	277	203
Moving Mass (M_{MS})(grams)	61.9	88.2
Voice Coil Diameter (in. / mm)	2 / 51	2 / 51
Number of layers	4	3
Voice Coil Winding Height (in./mm)	0.75 / 19	0.79 / 20
Voice Coil Gap Height (in./mm)	0.39 / 10	0.39 / 10
Voice Coil Former Material	8 mil. anodized aluminum	8 mil. anodized aluminum
Force Factor (Bl)(Tesla/Meter)	14.6	11.46
Linear Excursion (X_{max})(in. / mm)	0.25 / 6.35	0.25 / 6.35
Sensitivity (SPL)(dB. 1W/1M)	91	91
Operating Power (P_E)(Watt R.M.S)	175	175

Yo, just so you know, we reserve the right to make specification changes and product improvements without notice.