

Top Quality, Excellent Prices...

For years people have been looking for the ultimate subwoofer line at an affordable price. So, in 1988 three audio enthusiasts set out to meet that need. The result was the Acoustic Design Group, or ADG, as we like to call it. Recently, two of the original founders succeeded by creating our Pro Series.

They created an awesome entry level subwoofer line with the same component quality philosophy as our cast woofer, using a stamped metal basket for the car audio enthusiast on a budget.

Pro Series subwoofers are produced in Canada with the best parts sourced from around the world.

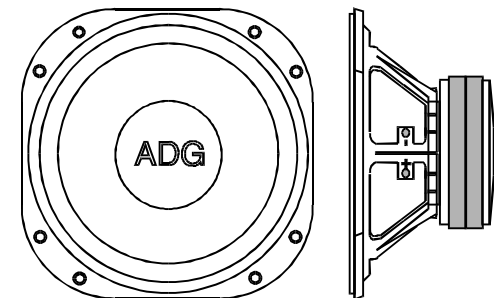
If you want a totally cool sound system for your car at a price that won't leave you in financial mourning, then check us out.

ACOUSTIC DESIGN GROUP

128-2465 Cawthra Rd.
Mississauga, Ontario
Canada L5A 3P2
(905) 273-9313
(905) 273-9756 FAX

ACOUSTIC DESIGN GROUP PRO SERIES

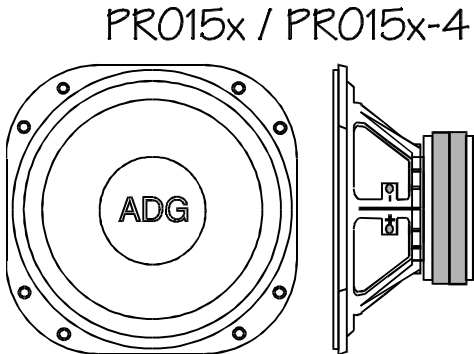
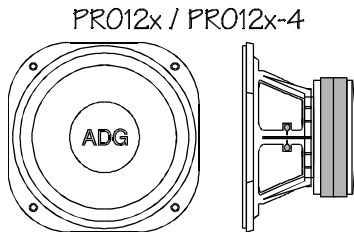
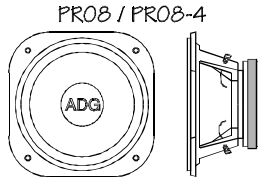
PR015x / PR015x-4



ADG Quality

Our line of Canadian-made automotive speakers are manufactured to the highest standards at our factory in Mississauga.

Features include die cast housings, powerful magnets with one-inch vents to cool the voice coil, plus special cones and suspensions which produce dynamic transient and solid bass response, all designed to withstand any climate. All of our units are designed with ultimate performance in mind.



CHECK OUT OUR PRO SERIES LOUDSPEAKERS

| MODEL | DESCRIPTION | POWER | SENSITIVITY | MOUNTING DEPTH | MAGNET | VOICE COIL |
|----------|---------------|-----------|-------------|----------------|---------|------------|
| PRO8 | 8" SUBWOOFER | 175 WATTS | 88 dB | 3 7/8" | 50 oz. | 2" |
| PRO8-4 | 8" SUBWOOFER | 175 WATTS | 88 dB | 3 7/8" | 50 oz. | 2" |
| PRO10 | 10" SUBWOOFER | 175 WATTS | 92 dB | 4 1/4" | 50 oz. | 2" |
| PRO10-4 | 10" SUBWOOFER | 175 WATTS | 92 dB | 4 1/4" | 50 oz. | 2" |
| PRO10i | 10" SUBWOOFER | 300 WATTS | 92 dB | 4 1/4" | 80 oz. | 3" |
| PRO10i-4 | 10" SUBWOOFER | 300 WATTS | 91 dB | 4 3/8" | 80 oz. | 3" |
| PRO12x | 12" SUBWOOFER | 400 WATTS | 92 dB | 5 1/4" | 160 oz. | 3" |
| PRO12x-4 | 12" SUBWOOFER | 400 WATTS | 93 dB | 6 5/8" | 160 oz. | 3" |
| PRO15x | 15" SUBWOOFER | 500 WATTS | 94 dB | 7" | 160 oz. | 3" |
| PRO15x-4 | 15" SUBWOOFER | 500 WATTS | 93 dB | 7" | 160 oz. | 3" |
| PRO18x | 18" SUBWOOFER | 500 WATTS | TBA | TBA | 160 oz. | TBA |
| PRO18x-4 | 18" SUBWOOFER | 500 WATTS | TBA | TBA | 160 oz. | TBA |

"Eat your vegetables... Clean up your room... Turn that down or you'll ruin your ears!" Believe it or not, sometimes your mom was right. Long term exposure to sound pressure levels over 100 dB may cause permanent hearing loss. Our systems can produce sound pressure levels well over 130 dB. Be smart. Listen to your mom.